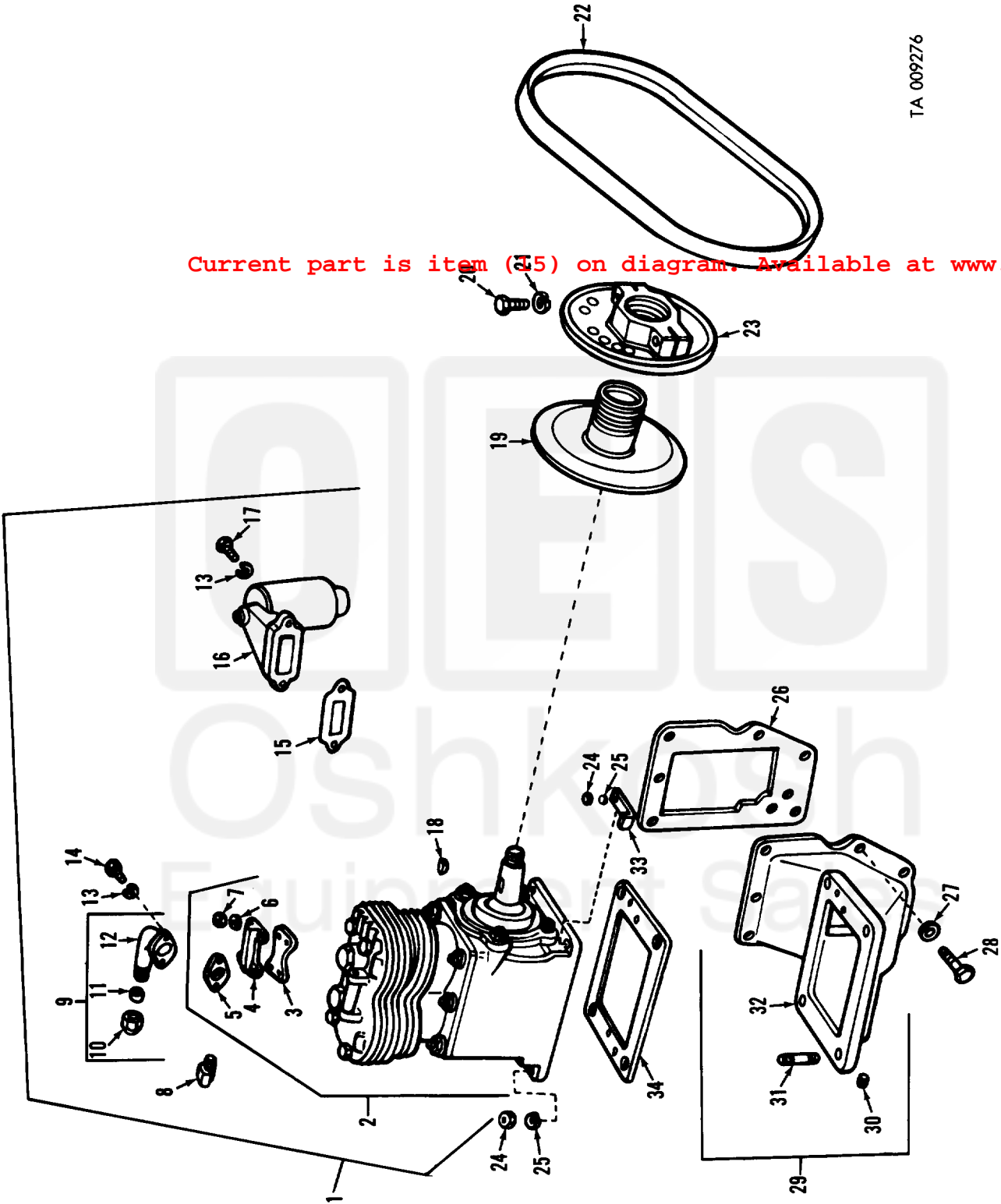


Current part is item (15) on diagram. Available at [www.oshkoshequipment.com](http://www.oshkoshequipment.com)

(1) SMR Code	(2) Federal Stock Number	(3) Description	(4) Unit of Meas.	(5) Qty	(6) 15-day Maintenance In	(7) Organizational allow Illustration	(a) Figure No.	(b) Item No.
Reference number & mfg. code			Usable on code		(a) (b) (c) (d)			
					1-5 6-20 21-50 51-100			
PAOFF	4310-439-6075	COMPRESSOR ASSEMBLY, RECIPROCATING: power AB DRIVEN 10899038 (19207)	EA					
PAOZZ	2530-863-3155	COMPRESSOR, RECIPROCATING, POWER DRIVEN: MS51322-1 (96906)	EA	1	*	*	*	117 2
PAOZZ	5330-498-2426	GASKET: UNLOADER VALVE 11641987 (19207)	EA	1	*	*	*	117 3
PAOZZ		VALVE ASSEMBLY, UNLOADER: AIR COMPRESSOR N13799E (06721)	EA	1	*	*	*	117 4
PAOZZ	2530-828-5027	GASKET: COMPRESSOR DISCHARGE ELBOW 7748823 (19207)	EA	1	*	*	*	117 5
PAOZZ	5310-550-1130	WASHER, LOCK: INTERNAL TOOTH, 1/4 NOM., SIZE, UNLOADER VALVE TO COMPRESSOR MS35333-40 (96906)	EA	2	*	*	*	117 6
PAOZZ	5310-768-0319	NUT, PLAIN, HEXAGON: 1/4-28UNF-2B, UNLOADER VALVE TO COMPRESSOR MS51968-2 (96906)	EA	2	*	*	*	117 7
PAOZZ	4730-202-9744	ELBOW, PIPE TO TUBE: COMPRESSOR UNLOADER VALVE 201697 (06853)	EA	1	*	*	*	117 8
PAOZZ	4730-518-9043	ELBOW, FLANGE TO TUBE: AIR COMPRESSOR DISCHARGE 5189043 (19207)	EA	1	*	*	*	117 9
PAOZZ	4730-054-2572	NUT, TUBE COUPLING: COMPRESSOR ELBOW MS39196-4 (96906)	EA	1	*	*	*	117 10
PAOZZ	4730-054-2571	SLEEVE, COMPRESSION: COMPRESSOR ELBOW MS39197-4 (96906)	EA	1	*	*	*	117 11
PAOZZ	4730-078-4097	ELBOW, TUBE TO BAR: DISCHARGE AIR COMPRESSOR 8748337 (19207)	EA	1	*	*	*	117 12
PAOZZ	5310-959-4679	WASHER, LOCK: COMPRESSOR DISCHARGE AND INLET ELBOW MS35340-45 (96906)	EA	4	*	*	*	117 13
PAOZZ	5306-225-8503	BOLT, MACHINE: 5/16-18UNC-2A X 1 3/4, DISCHARGE ELBOW MS90725-39 (96906)	EA	2	*	*	*	117 14
PAOZZ	2530-818-0508	GASKET: COMPRESSOR AIR INLET ELBOW 7748826 (19207)	EA	1	*	*	*	117 15

TA 009276



Current part is item (15) on diagram. Available at [www.oshkoshequip.com](http://www.oshkoshequip.com)

Figure 117. Air compressor and related parts—multifuel.

Current part is item (15) on diagram. Available at [www.oshkoshequip.com](http://www.oshkoshequip.com)